



A TEREX BRAND

# Parts Manual

Serial Number Range

**Super Straddle** from SN SS08-2976 to SS16-4208  
from SN SS16G-4209 to SS16G-6299  
from SN SSG-6300 to SSG-6468  
from SN SSP-6469

Part No. 115403GT  
Rev: E.01  
October 2023

---

## Technical Publications

Genie has endeavored to deliver the highest degree of accuracy possible. However, continuous improvement of our products is a Genie policy. Therefore, product specifications are subject to change without notice.

Readers are encouraged to notify Genie of errors and send in suggestions for improvement. All communications will be carefully considered for future printings of this and all other manuals.

---

## Contact Us:

Internet: [www.genielift.com](http://www.genielift.com)  
e-mail: [awp.techpub@terex.com](mailto:awp.techpub@terex.com)

---

## Find a Manual for this Model

Go to <http://www.genielift.com>


Use the links to locate Operator's, Parts, Maintenance, and Service and Repair Manuals.

---

Copyright © 2011 by Terex Corporation

115403GT Rev E.01 October 2023  
First Edition, Fifth Printing

Genie is a registered trademarks of Terex South Dakota, Inc. in the USA and many other countries. "Runabout" is a trademark of Terex South Dakota, Inc.

 Printed on recycled paper



## How to Order Parts

Please be prepared with the following information when ordering replacement parts for your Terex or Genie product.

- Machine model number
- Machine serial number
- Part number
- Part description and quantity
- Purchase order number
- "Ship to" address
- Desired method of shipment
- Name and telephone number of the authorized distributor in your area

Use the Service Parts Fax Order Form on the next page and fax your order to our Parts Department.

If you don't know the name of your authorized distributor, or if your area is not currently serviced by an authorized distributor, please call Terex or Genie Industries.

## Machine Information

\_\_\_\_\_

Model

\_\_\_\_\_

Serial Number

\_\_\_\_\_

Date of Purchase

\_\_\_\_\_

Authorized Genie Distributor

\_\_\_\_\_

Phone Number

### North America

Telephone (425)881-1800  
 Toll Free (800)536-1800 in US and Canada  
 Fax (425)556-8659  
 Toll Free fax (888)274-6192  
 Email [AWP.PartsSalesPO@terex.com](mailto:AWP.PartsSalesPO@terex.com)  
<http://genielift.com/en>

### EMEAR (Europe, Middle East, Africa and Russia)

Telephone (31)(165)519 313  
 Fax (31)(165)511 148  
<http://genielift.co.uk>

### Asia Pacific (Genie Singapore)

Telephone +65 6692 7777  
 Fax +65 6261 8893  
<http://genielift.com.sg/>

### Australia

Telephone (61)(7)3456 4444  
 Fax (61)(7)3456 4466  
<http://genielift.com.au>

### South America

Telephone (55)(11)4082 5600  
 Fax (55)(11)4082 5630

## Recommended Parts

Description	Part No.
Genie Blue Paint, 1 Gallon.....	32150
Genie Blue Paint, 12 Ounce Aerosol.....	1484
Genie Gray Paint, 1 Gallon .....	32151
Genie Gray Paint, 12 Ounce Aerosol .....	1268

## Manuals

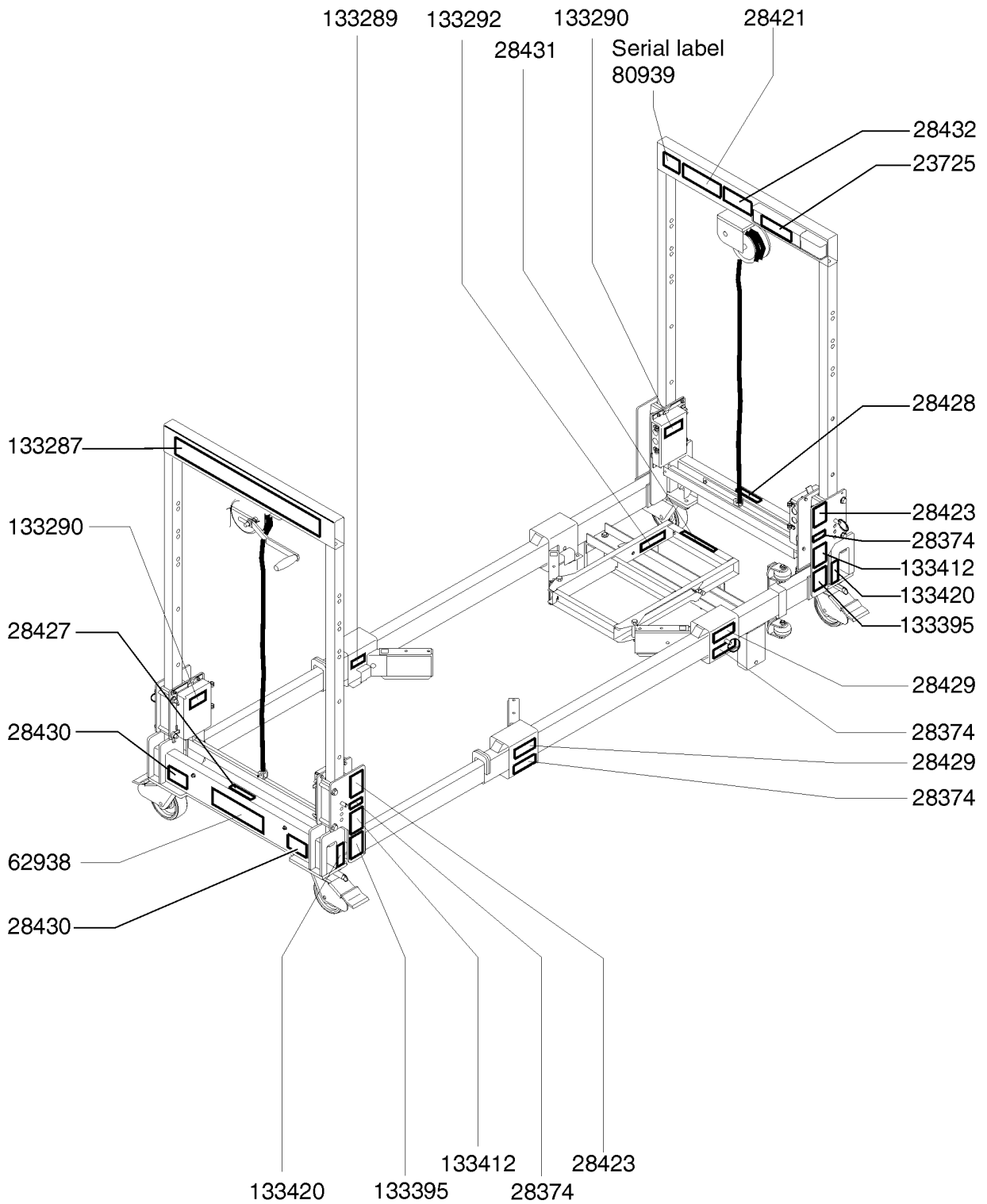
Genie Industries offers the following support documents for these models:

Title	Part No.
EMI Safety Manual.....	27581
Manual of Responsibilities	
ANSI A92.5 (to SN SSP-6999) .....	31587
ANSI A92.20 (from SN SSP-7000) .....	1298933



<b>Description</b>	<b>Page</b>
<b>100 Decals</b> .....	<b>8</b>
101.1 Decals with Words (to SN SSP-6999) .....	8
102.1 Decals with Symbols (to SN SSP-6999) .....	10
103.1 Decals with Words (from SN SSP-7000) .....	12
104.1 Decals with Symbols (from SN SSP-7000) .....	14
<b>200 Straddle Components</b> .....	<b>16</b>
201.1 Straddle Component Installation .....	16
202.1 Main Frame Components .....	20
203.1 End Frame Components .....	26
204.1 Winch components .....	30
<b>Part Number Index</b> .....	<b>32</b>

101.1 Decals with Words (to SN SSP-6999)

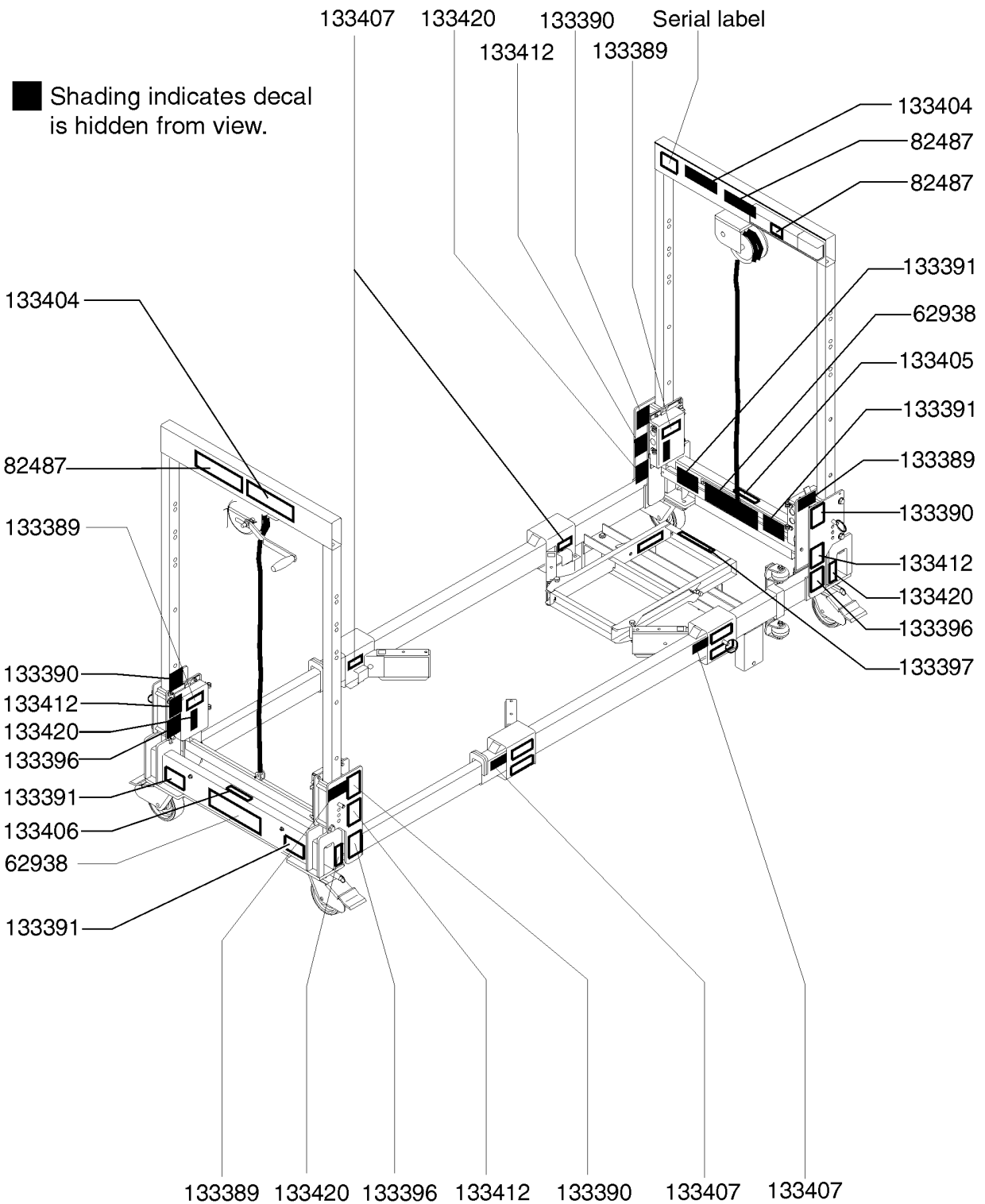




Item	Part No.	Description	Qty.
	1306600GT	INSTRUCTIONS,INSTALL,COMP,WORD, SS .....	1
	1306601GT	DECAL KIT, SS,COMP,WORD,ANSI & AUS .....	1
1	23725GT	DECAL,DANGER,FAIL.READ,1.5X5 .....	1
2	28374GT	DECAL,RETAINING PIN,1.25 X 2.8 .....	8
3	28421GT	DECAL,NOTICE-WINCH LUBRICATION .....	2
4	28423GT	DECAL,DANGER-INSTALL PINS .....	4
5	28427GT	DECAL,TELESCOPING BASE FRAME .....	1
6	28428GT	DECAL,BASE FRAME .....	1
7	28429GT	DECAL,STRADDLE SOCKET .....	4
8	28430GT	DECAL,DANGER-INSTAL O.R.,BASE .....	4
9	28431GT	DECAL,DANGER-INSTAL O.R.,LADDR .....	1
10	28432GT	DECAL,NOTICE-FOOTPRINT .....	2
11	62938GT	DECAL,GENIE SUPER STRADDLE .....	2
12	80939GT	SERIAL # LABEL,MAT LIFT & SS** must include model and serial number when ordering. ....	1
13	133287GT	DECAL,DANGER/SAFETY/OPER.INSTR .....	2
14	133289GT	DECAL,LABEL,STRAD SOCKET PLUG .....	4
15	133290GT	DECAL,DANGER TIP-OVER,LMT SWTC .....	4
16	133292GT	DECAL,LABEL,LADDER STORAGE .....	1
16-	28424GT	DECAL,NOTICE-LADDER STORAGE .....	1
17	133412GT	DECAL, PIN LIFT INST, SYM .....	4
18	133420GT	DECAL, OUTRIGGER LOADING .....	4
19	133395GT	DECAL,DANGER CRUSH HAZARD .....	4



102.1 Decals with Symbols (to SN SSP-6999)

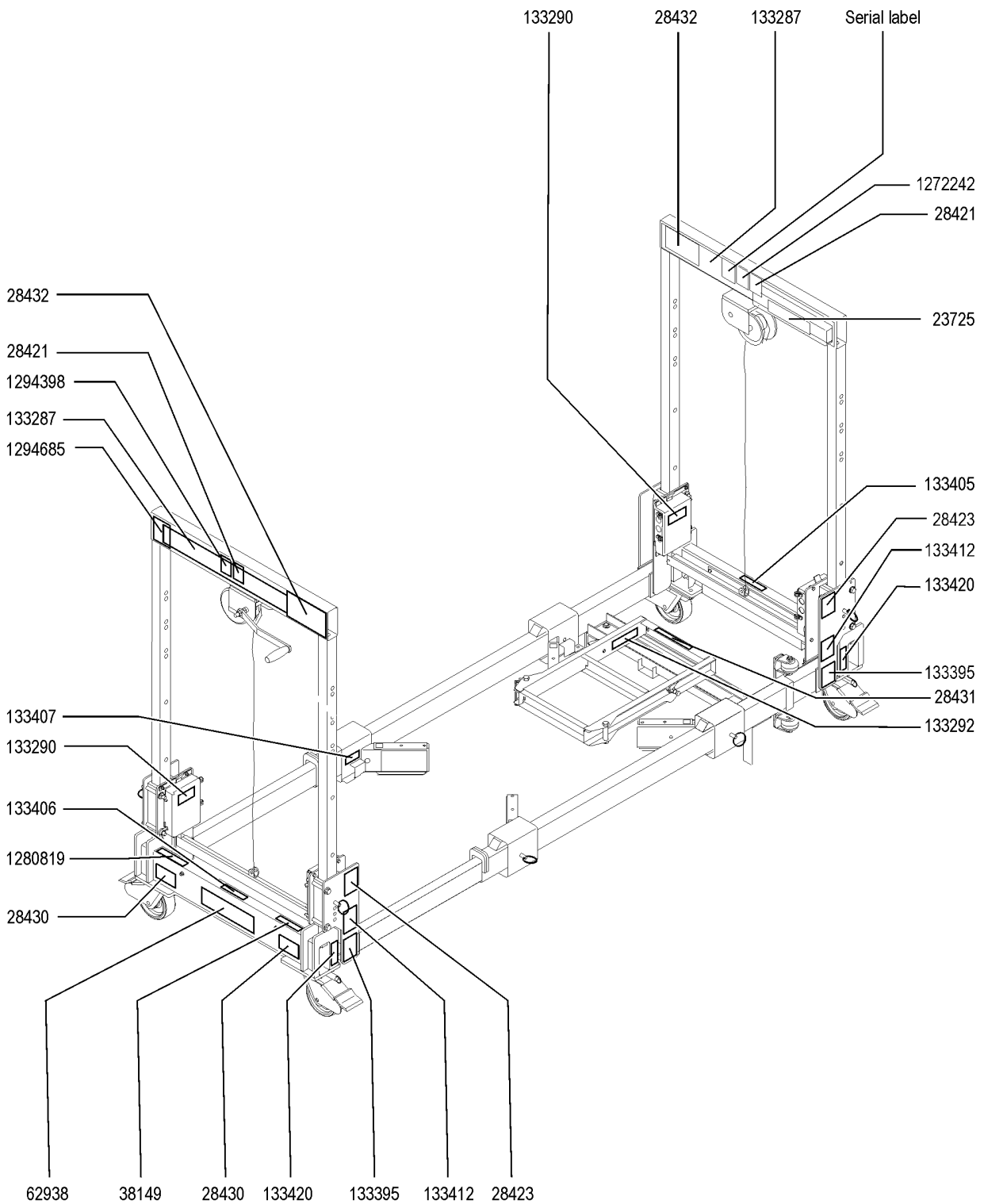


102.1 Decals with Symbols (to SN SSP-6999)

<i>Item</i>	<i>Part No.</i>	<i>Description</i>	<i>Qty.</i>
	1306602GT	INSTRUCTIONS,INSTALL,COMP,SYMBOL, SS .....	1
	1306603GT	DECAL KIT, SS,COMP,SYMBOL,ANSI & CE .....	1
1	62938GT	DECAL,GENIE SUPER STRADDLE .....	2
2	82487GT	DECAL,SYMBOL-READ THE MANUAL .....	2
3	133390GT	DECAL,DANGER-INSTALL PINS SYM .....	4
4	133391GT	DECAL, DANGER-INSTALL O.R.,SYM .....	4
5	133389GT	DECAL, DANGER TIP OVER LS, SYM .....	4
6	133396GT	DECAL, DANGER -CRUSH HAZ SYM .....	4
7	133397GT	DECAL, DGR-INSTALL, LADDER SYM .....	1
8	133404GT	DECAL, INDOOR ONLY, SYMBOL CE .....	2
9	133405GT	DECAL, BASE FRAME SYMBOL .....	1
10	133406GT	DECAL, TELE BASE FRAME SYMBOL .....	1
11	133407GT	DECAL, SS SOCKET PLUG, SYMBOL .....	4
12	133412GT	DECAL, PIN LIFT INST, SYM .....	4
13	133420GT	DECAL, OUTRIGGER LOADING .....	4



103.1 Decals with Words (from SN SSP-7000)

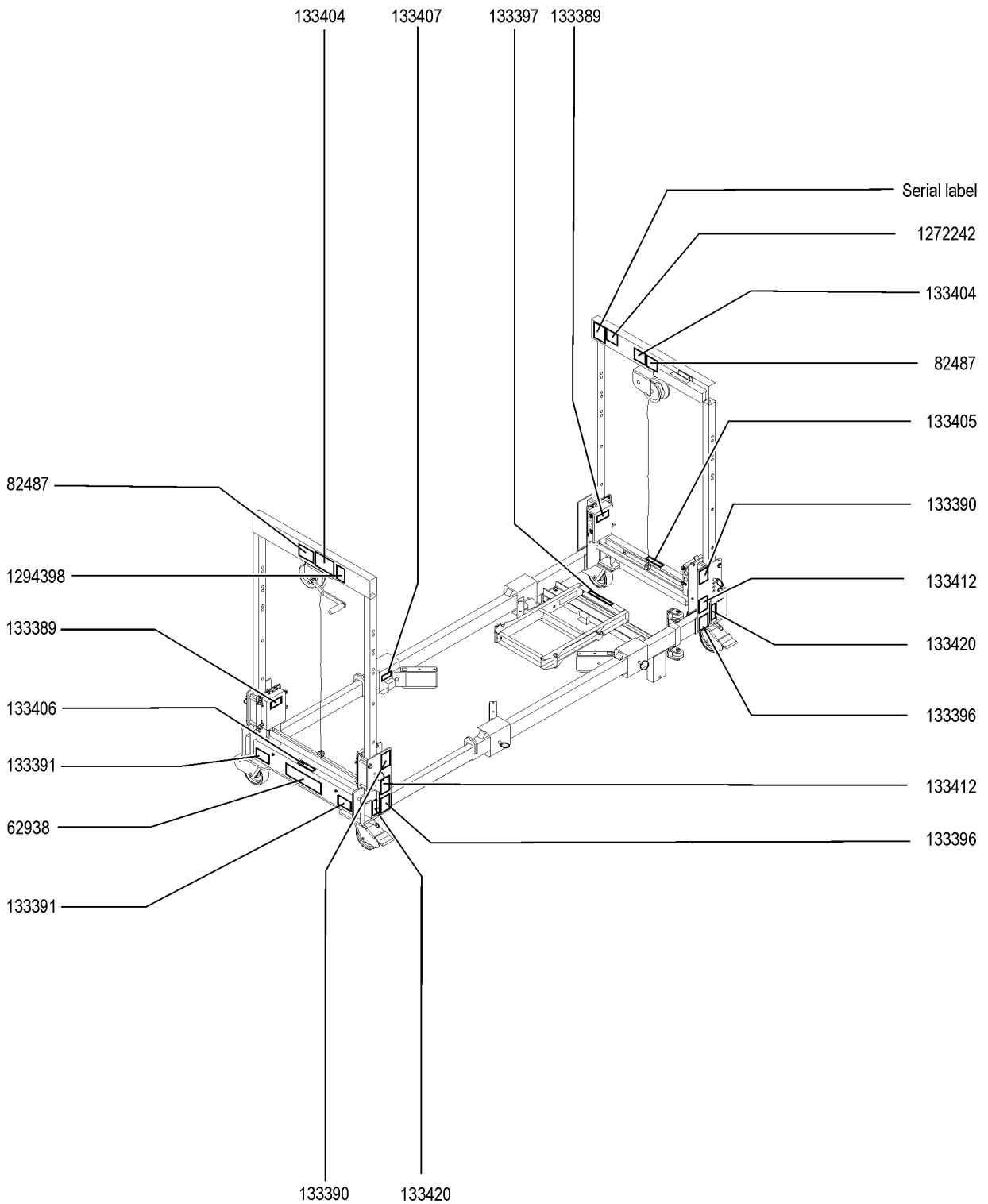


103.1 Decals with Words (from SN SSP-7000)

Item	Part No.	Description	Qty.
-	1306533GT	INSTRUCTIONS,INSTALL,COMP,WORD, SS .....	1
-	1306534GT	DECAL KIT, SS,COMP,WORD,ANSI & AUS .....	1
1	23725GT	DECAL,DANGER,FAIL.READ,1.5X5 .....	1
2	28421GT	DECAL,NOTICE-WINCH LUBRICATION .....	2
3	28423GT	DECAL,DANGER-INSTALL PINS .....	4
4	28430GT	DECAL,DANGER-INSTAL O.R.,BASE .....	4
5	28431GT	DECAL,DANGER-INSTAL O.R.,LADDR .....	1
6	28432GT	DECAL,NOTICE-FOOTPRINT .....	2
7	38149GT	DECAL LABEL PATENTS .....	1
8	62938GT	DECAL,GENIE SUPER STRADDLE .....	2
9	133287GT	DECAL,DANGER/SAFETY/OPER.INSTR .....	2
10	133290GT	DECAL,DANGER TIP-OVER,LMT SWTC .....	4
11	133292GT	DECAL,LABEL,LADDER STORAGE .....	1
12	133395GT	DECAL,DANGER CRUSH HAZARD .....	4
13	133405GT	DECAL, BASE FRAME SYMBOL .....	1
14	133406GT	DECAL, TELE BASE FRAME SYMBOL .....	1
15	133407GT	DECAL, SS SOCKET PLUG, SYMBOL .....	4
16	133412GT	DECAL, PIN LIFT INST, SYM .....	4
17	133420GT	DECAL, OUTRIGGER LOADING .....	4
18	1272242GT	DECAL,MACHINE REGISTRATION/OWNER TRANSFER .....	1
19	1280819GT	DECAL,WARNING,CANCER AND REPRODUCTIVE HARM, PROP 65 .....	1
20	1294398GT	DECAL, ANSI/CSA COMPLIANT .....	1
21	1294685GT	DECAL,ANNUAL INSP***, MINI .....	1



104.1 Decals with Symbols (from SN SSP-7000)

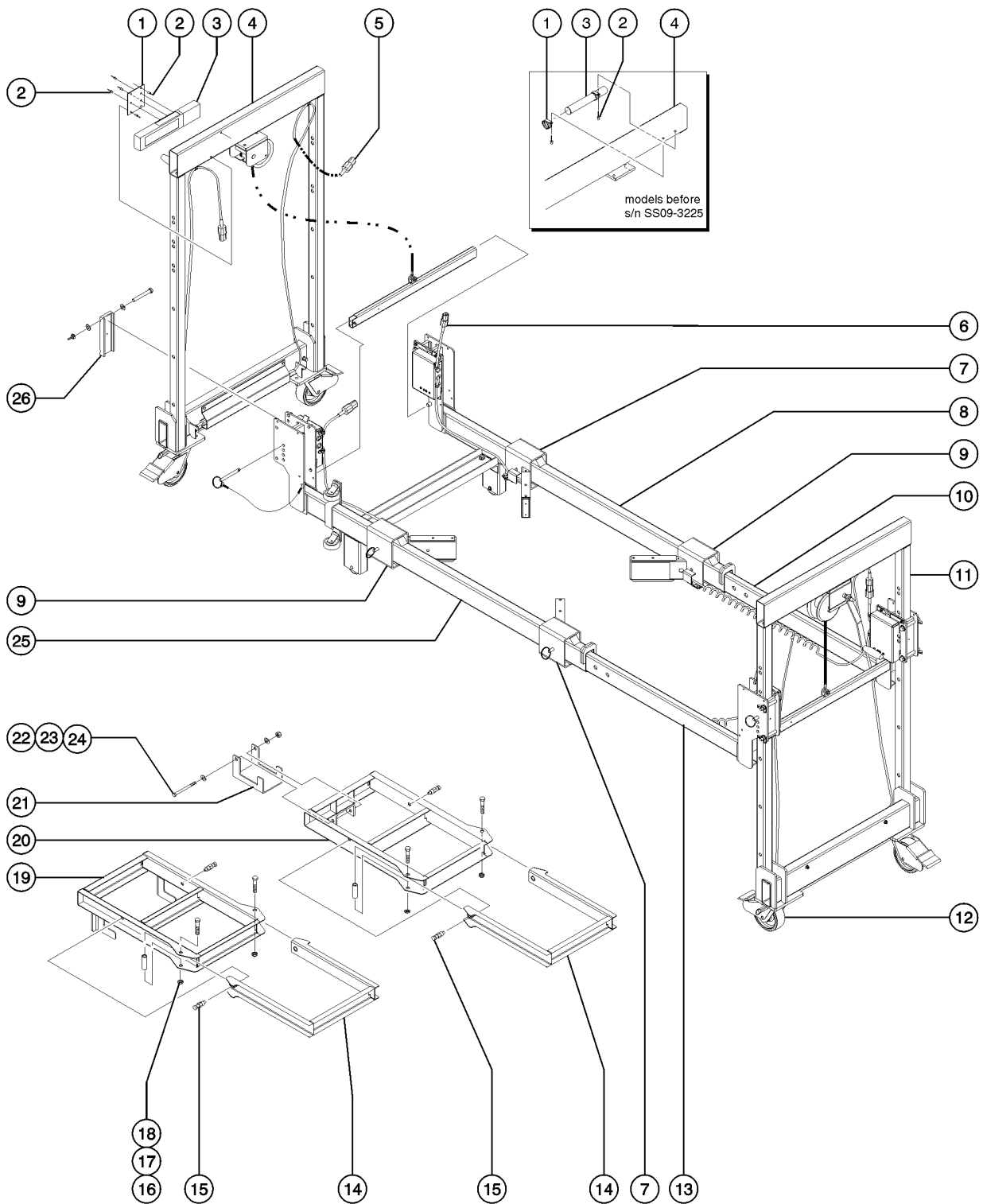


104.1 Decals with Symbols (from SN SSP-7000)

<i>Item</i>	<i>Part No.</i>	<i>Description</i>	<i>Qty.</i>
-	1306535GT	INSTRUCTIONS,INSTALL,COMP,SYMBOL, SS .....	1
-	1306536GT	DECAL KIT, SS,COMP,SYMBOL,ANSI & CE .....	1
1	62938GT	DECAL,GENIE SUPER STRADDLE .....	2
2	82487GT	DECAL,SYMBOL-READ THE MANUAL .....	2
3	133389GT	DECAL, DANGER TIP OVER LS, SYM .....	4
4	133390GT	DECAL,DANGER-INSTALL PINS SYM .....	4
5	133391GT	DECAL, DANGER-INSTALL O.R.,SYM .....	4
6	133396GT	DECAL, DANGER -CRUSH HAZ SYM .....	4
7	133397GT	DECAL, DGR-INSTALL, LADDER SYM .....	1
8	133404GT	DECAL, INDOOR ONLY, SYMBOL .....	2
9	133405GT	DECAL, BASE FRAME SYMBOL .....	1
10	133406GT	DECAL, TELE BASE FRAME SYMBOL .....	1
11	133407GT	DECAL, SS SOCKET PLUG, SYMBOL .....	4
12	133412GT	DECAL, PIN LIFT INST, SYM .....	4
13	133420GT	DECAL, OUTRIGGER LOADING .....	4
14	1272242GT	DECAL,MACHINE REGISTRATION/OWNER TRANSFER .....	1
15	1294398GT	DECAL, ANSI/CSA COMPLIANT .....	1



201.1 Straddle Component Installation

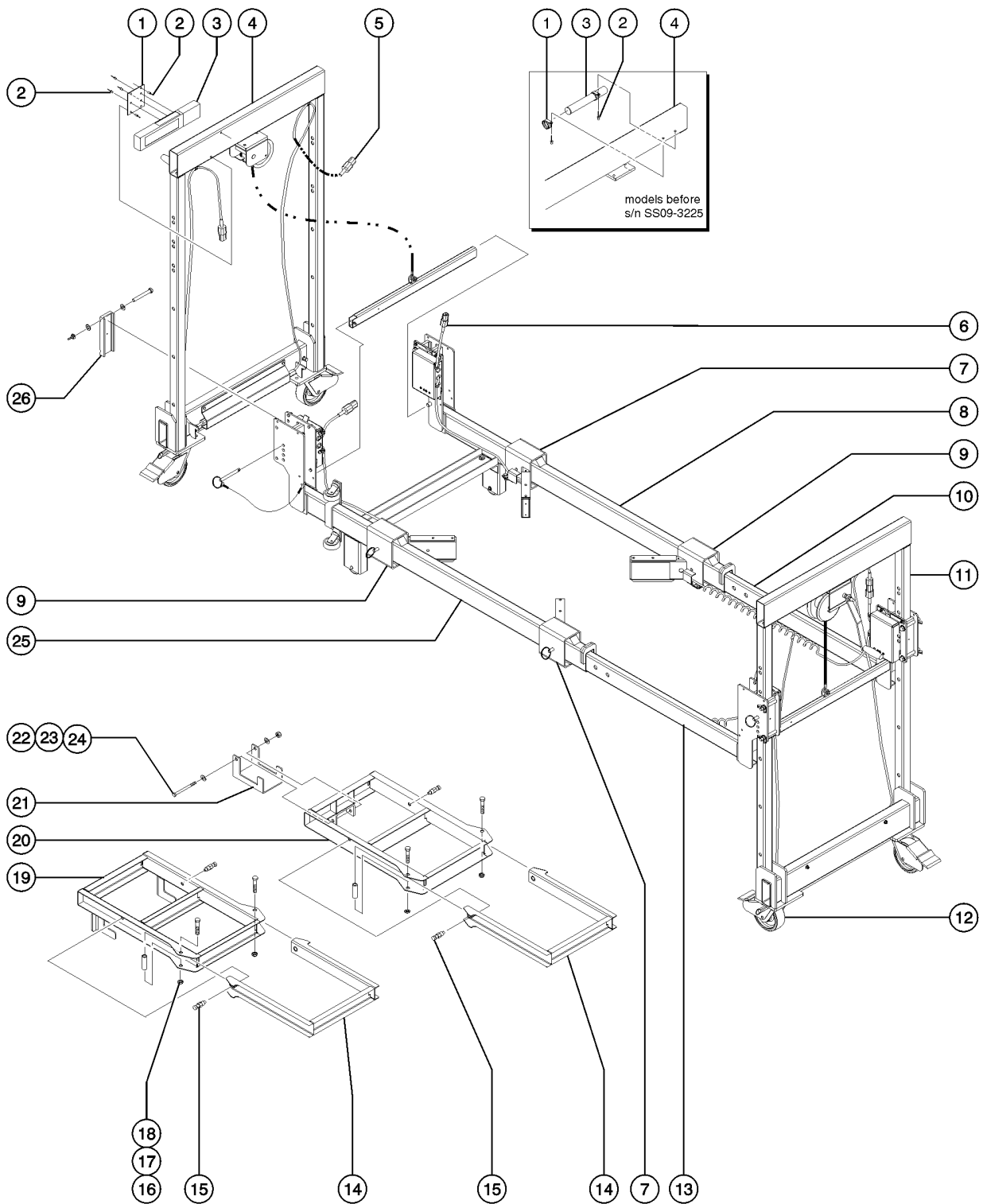




Item	Part No.	Description	Qty.
	115404GT	LADDER ASSEMBLY WITH DECALS (complete with word decals - USA, Canada, and Australia) (includes items 14-19) (refer to figure 101.1)	1
	T107066GT	ASSY, LADDER, SS CE (complete with symbol decals - European) (includes items 14-18 and 20) (refer to figure 102.1)	1
	T107059GT	ASSY, LADDER, SS ANSI/SYM (complete with symbol decals - Asia and South America) (includes items 14-19) (refer to figure 102.1)	1
1A	145114GT	PLATE, MANUAL BOX MOUNT	1
1B	6653GT	CLAMP, 1.88, #30 X 1/4, RUB CUSH	2
2	6271GT	RIVET,STL,STL.MAN,P,.25 X .25	5
3A	6600GT	INSTRUCT.TUBE W/CAPS-1.75 X 12	1
3B	145022GT	KIT, MANUAL BOX, WORD DEC (complete with word decals - USA, Canada, and Australia) (includes item 2) (refer to 101.1)	1
3B-	1296809GT	INSTRUCTION TUBE,AWP/IWP/SS	
3B-	2223GT	LANYARD ASSY HOIST/AWP-7***	
3B-	6638GT	WASHER, FLAT, USS, 1/4"Y	
3C	145037GT	KIT, MANUAL BOX, SYM DEC (complete with symbol decals - Europe, Asia and South America) (includes item 2) (refer to 102.1)	1
3C-	1296809GT	INSTRUCTION TUBE,AWP/IWP/SS	
3C-	2223GT	LANYARD ASSY HOIST/AWP-7***	
3C-	6638GT	WASHER, FLAT, USS, 1/4"Y	
4		Ref. END FRAME ASSEMBLY WITH DECALS (refer to 203.1)	
5		Ref. CABLE ASSEMBLY (refer to 203.1)	
6		Ref. CABLE ASSEMBLY,LIMIT SWITCH PIGTAIL (Main Frame and Telescoping Frame) (refer to 202.1)	
7		WLDT,OUTRGR SKT W/DECALS,RF/LR (refer to 202.1)	
8		Ref. FRAME ASSY W/DEC,MAIN FRAME,RH (refer to 202.1)	
9		Ref. WLDT,OUTRGR SKT W/DECALS,LF/RR (refer to 202.1)	
10		Ref. FRAME ASSY W/DECALS,TELES,RH (refer to 202.1)	
11		Ref. TELE END FRAME ASSY W/DEC COMP (refer to 203.1)	
12		Ref. CASTER (refer to 203.1)	
13		Ref. FRAME ASSY W/DECALS,TELES,LH (refer to 202.1)	
14	115155GT	LOWER LADDER ASSEMBLY (includes item 15)	1
14-	32358-1100GT	TAPE, NON-SKID, 1X11IN (1 @ 11 inches)	1



201.1 Straddle Component Installation

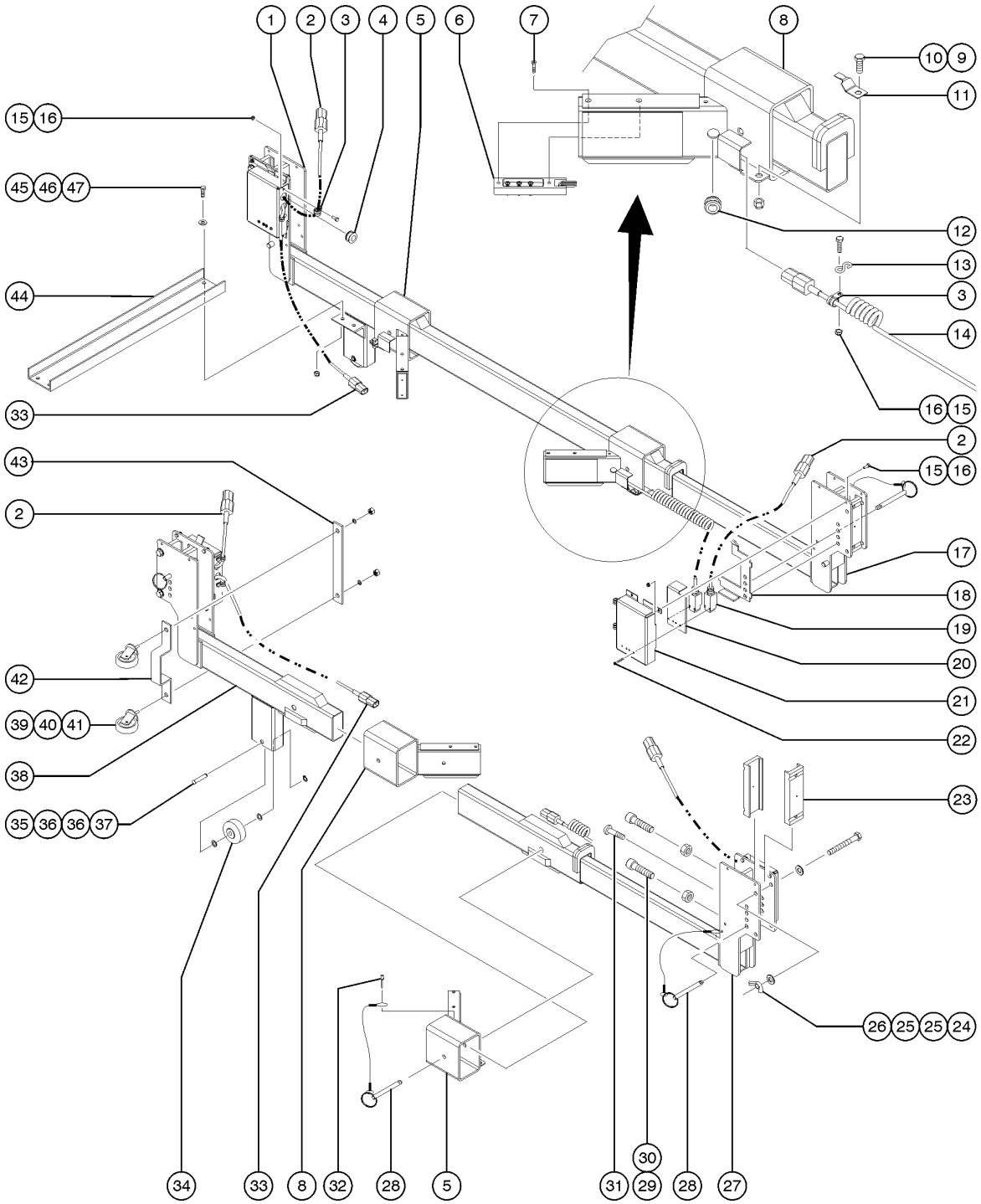


201.1 Straddle Component Installation

Item	Part No.	Description	Qty.
15	32375GT	PIN,LOCK,LONG*** .....	2
16	6086GT	NUT,LP NYLOCK,1/2-13 .....	2
17	35464-0225GT	TUBE,RD,ALM.75 X .11 X 2.25 .....	2
18	10598GT	SCREW,HHC,1/2-13 X 3 .....	2
19A	115154GT	UPPER LADDER ASSEMBLY W/DECAL (word decals - USA, Canada, and Australia) (includes item 15) (refer to 101.1) .....	1
19A-	32358-1100GT	TAPE,NON-SKID,1X11IN (3 @ 11 inches) .....	3
19A-	32302-1200GT	TAPE,UHMW .75X.010X12 (6 @ 12 inches) .....	6
19B	T107058GT	UPPER LADDER ASSEMBLY W/DECAL (symbol decals - Europe, Asia and South America) (includes item 15) (refer to 102.1) .....	
19B-	32358GT	TAPE,NON-SKID,1" WIDE,BULK (3 @ 11 inches) .....	33
19B-	32302GT	TAPE,UHMW .75 X .010 BULK (6 @ 12 inches) .....	72
20	145039GT	LADDER ASSY UPPER, W/ SYM DEC (symbol decals - European) (includes item 15) (refer to 102.1) .....	
20-	32358GT	TAPE,NON-SKID,1" WIDE,BULK (3 @ 11 inches) .....	33
20-	32302GT	TAPE,UHMW .75 X .010 BULK (6 @ 12 inches) .....	72
21	145018GT	FORMING, LADDER HOOK SS .....	
22	22786GT	SCREW,HHC,1/2-13 X 5.5 .....	
23	13066GT	WASHER,FLAT,.5 HARDENED .....	
24	6198GT	NUT, NYLOCK, 1/2-13 .....	1
25		Ref. FRAME ASSY, W/ DECALS,MAIN,LH (refer to 202.1) .....	
26		Ref. WEAR PAD .....	



202.1 Main Frame Components

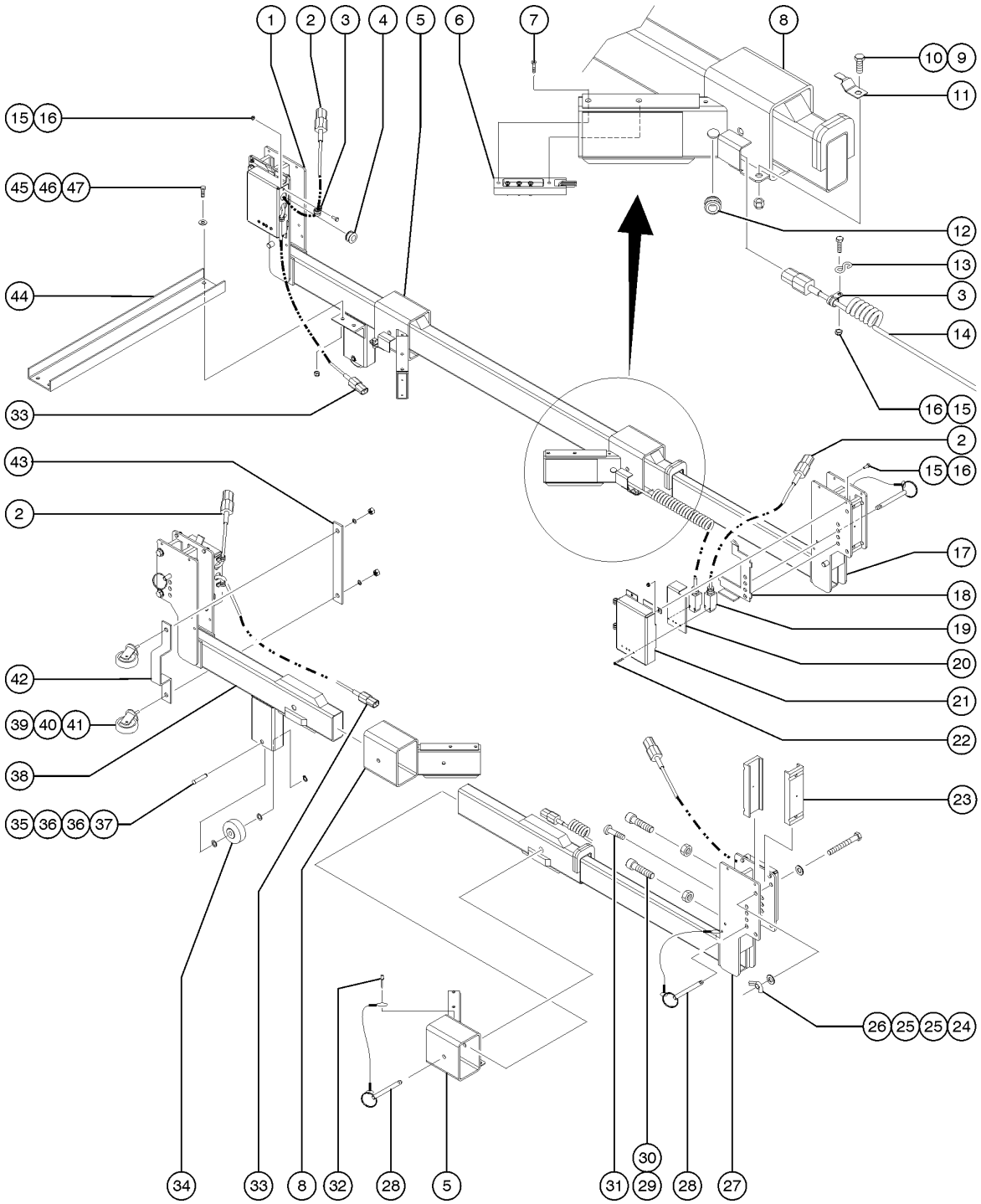


202.1 Main Frame Components

Item	Part No.	Description	Qty.
1A	115396GT	FRAME ASSY W/DECALS,MAIN, RH ..... (word decals) (refer to 101.1)	1
1B	145033GT	FRAME ASSY W/DECALS, MAIN, RH ..... (symbol decals) (refer to 102.1)	1
2	124715GT	CABLE ASSY,LIMIT SWTCH PIGTAIL ..... (Main Frame and Telescoping Frame)	4
3	124728GT	CLAMP,0.44,#7X1/4,RUB CUSH .....	10
4	124759GT	GROMMET,RUBBER.5X.125X1.25 .....	8
5A	115394GT	OUTRGR SKT, W/DECALS,RF/LR ..... standard (word decals) (refer to 101.1) (to SN SSP-6999)	2
5B	124959GT	SOCKET NRW,W/DECALS,RF/LR ..... narrow (word decals) (refer to 101.1) (to SN SSP-6999)	
5C	145029GT	SOCKET ASSY,W/ SYM DECAL,RF/LR ..... standard (symbol decals) (refer to 102.1)	
5D	124035GT	SOCKET NRW, W/SYM DEC LF/RR ..... narrow (symbol decals) (refer to 102.1)	
6	145121GT	CONTACT ASSEMBLY,SS .....	4
6B	60444GT	CONN,RECEP 6 WAY,14-18GA ..... for 145121	4
6B	60445GT	LOCK,RECEP 6 WAY,14-18GA ..... for 60444	4
7	17626GT	SCREW,FHM,10-32 X .75 .....	8
8A	115395GT	OUTRGR SKT, W/DECALS,LF/RR ..... standard (word decals) (refer to 101.1) (to SN SSP-6999)	2
8B	124958GT	SOCKET NRW,W/DECAL,LF/RR ..... narrow (word decals) (refer to 101.1) (to SN SSP-6999)	
8C	145030GT	SOCKET ASSY,W/ SYM DECAL,LF/RR ..... standard (symbol decals) (refer to 102.1)	
8D	145036GT	SOCKET NRW, W/SYM DEC RF/LR ..... narrow (symbol decals) (refer to 102.1)	
9	8255GT	SCREW,HHC,3/8-16 X .75 .....	4
10	7713GT	NUT, LP NYLOCK, 3/8-16 .....	2
11	99346GT	CLIP, METAL MOUNTING .....	4
12	57457GT	GROMMET,RUBBER .44 X .938"OD .....	4
13	69625GT	S-HOOK .....	2
14	124703GT	CABLE ASSY,COIL CORD,OUTRGR,TF .....	2
15	6889GT	NUT,LP NYLOCK,1/4-20 .....	22
16	6090GT	SCREW, HHC, 1/4-20 X .75 .....	22
17A	115398GT	FRAME ASSY W/DECALS,TELES,RH ..... (word decals) (refer to 101.1)	1
17B	145032GT	FRAME ASSY,W/DEC SYM,TELES RH ..... (symbol decals) (refer to 102.1)	1
18A	124690GT	RETAINING PIN LOCK PLATE ..... (Main Frame, RH and Telescoping Frame, LH)	2



202.1 Main Frame Components

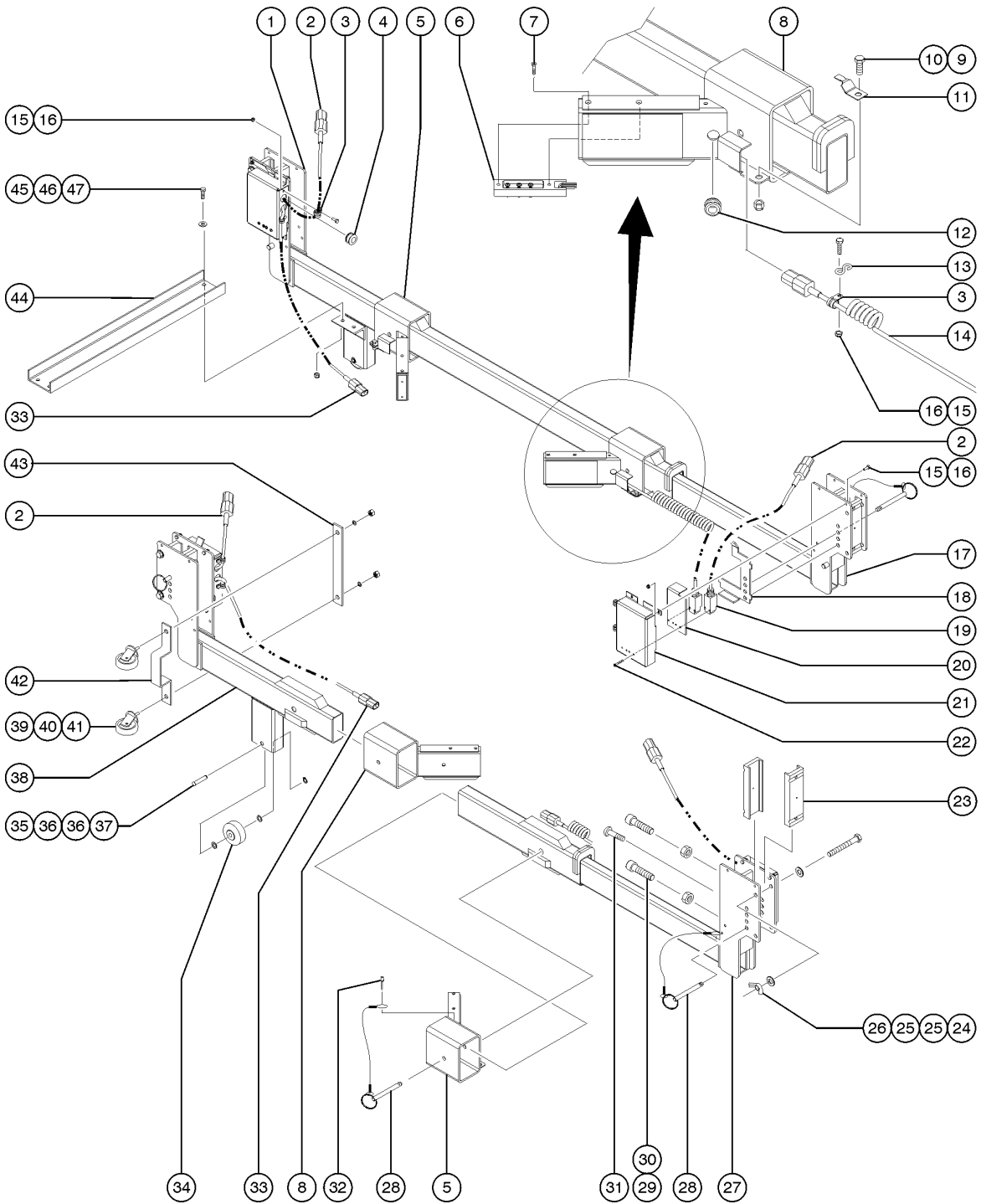


202.1 Main Frame Components

Item	Part No.	Description	Qty.
18B	124691GT	RETAINING PIN LOCK PLATE (Main Frame, LH and Telescoping Frame, RH)	2
19	124727GT	SWITCH,LIMIT,2 NO	8
20A	124692GT	SWITCH COVER DIVIDER BRACKET** (Main Frame, RH and Telescoping Frame, LH)	2
20B	124693GT	SWITCH COVER DIVIDER BRACKET** (Main Frame, LH and Telescoping Frame, RH)	2
21A	115400GT	COVER,LIMIT SWITCH,WDECALS** (word decals) (Main Frame, RH and Telescoping Frame, LH) (refer to 101.1)	2
21B	145079GT	COVER, SWITCH W SYM DEC MR TL (symbol decals) (Main Frame, RH and Telescoping Frame, LH) (refer to 102.1)	2
21C	115401GT	COVER,LIMIT SWITCH,WDECALS** (word decals) (Main Frame, LH and Telescoping Frame, RH) (refer to 101.1)	2
21D	145080GT	COVER, SWITCH W SYM DEC ML TR (symbol decals) (Main Frame, LH and Telescoping Frame, RH) (refer to 102.1)	2
22	51063GT	SCREW,PHILLIPS,RHM,10-32 X 1.5	16
23	29173GT	WEAR PAD,VERTICAL TUBE,SS	8
24	8886GT	NUT,WING,1/2-13	8
25	13066GT	WASHER,FLAT,.5 HARDENED	16
26	8220GT	SCREW,HHC,1/2-13 X 4 (GR 5)	8
27A	115399GT	FRAME ASSY W/DECALS,TELES,LH (word decals) (refer to 101.1)	1
27B	145034GT	FRAME ASSY,W/DEC SYM,TELES LH (symbol decals) (refer to 102.1)	1
28	11637GT	PIN ASSY, RETAINER, SS I & II	8
28-	11636GT	PIN,BALL RET.-.5 X 4.0	
29	29447GT	SCREW,SHC,3/8-16 X 1.5	8
30	6022GT	NUT,HEX,3/8-16	8
31	11097GT	SCREW,PHM,10-32X1,SF.TAP.SLOT	4
32	6271GT	RIVET,STL,STL.MAN,P,.25 X .25	4
33	124705GT	CABLE ASSY,OUTRIGR PIGTAIL,MAINF	2
34	6087GT	WHEEL,ROLLER- 3 X .5 X 1.28	2
35	11757GT	WHEEL AXLE PIN,SS-2.20	2
36	6052GT	WASHER,SHIM,.5 X .875 X .063	8
37	17748GT	RETAINING RING,EXTERNAL SHF-50	2
38A	115397GT	FRAME ASSY, W/ DECALS, MAIN,LH (word decals) (refer to 101.1)	1
38B	145031GT	FRAME ASSY W/DEC SYM, MAIN,LH (symbol decals) (refer to 102.1)	



202.1 Main Frame Components



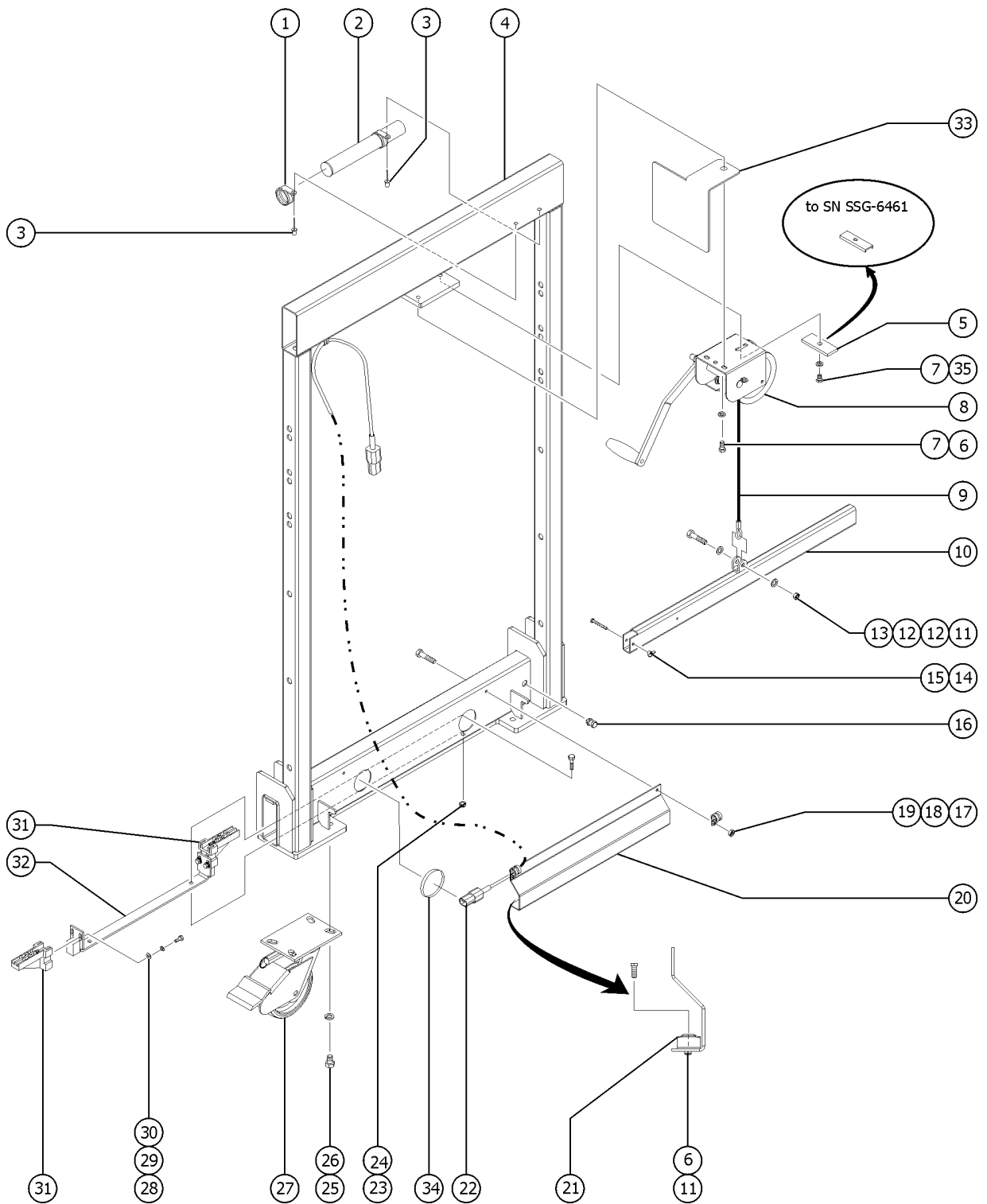


202.1 Main Frame Components

<i>Item</i>	<i>Part No.</i>	<i>Description</i>	<i>Qty.</i>
39	6416GT	CASTER, POST SW 2.5 X 1.0 .....	2
40	6095GT	WASHER,FLAT,USS,1/2",Y .....	2
41	6198GT	NUT, NYLOCK, 1/2-13 .....	2
42	29189PGT	SS II BRKT CASTER MNT PAINTED .....	1
43	29190PGT	SS II MNT. BAR PAINTED .....	1
44	29278GT	SS II SUPPORT CHANNEL .....	1
45	6019GT	SCREW,HHC,3/8-16 X 1.25 GRD 5 (GR 5) .....	4
46	6097GT	WASHER,FLAT,USS,3/8",Y .....	4
47	4828GT	NUT,NYLOCK,3/8-16 .....	4



203.1 End Frame Components

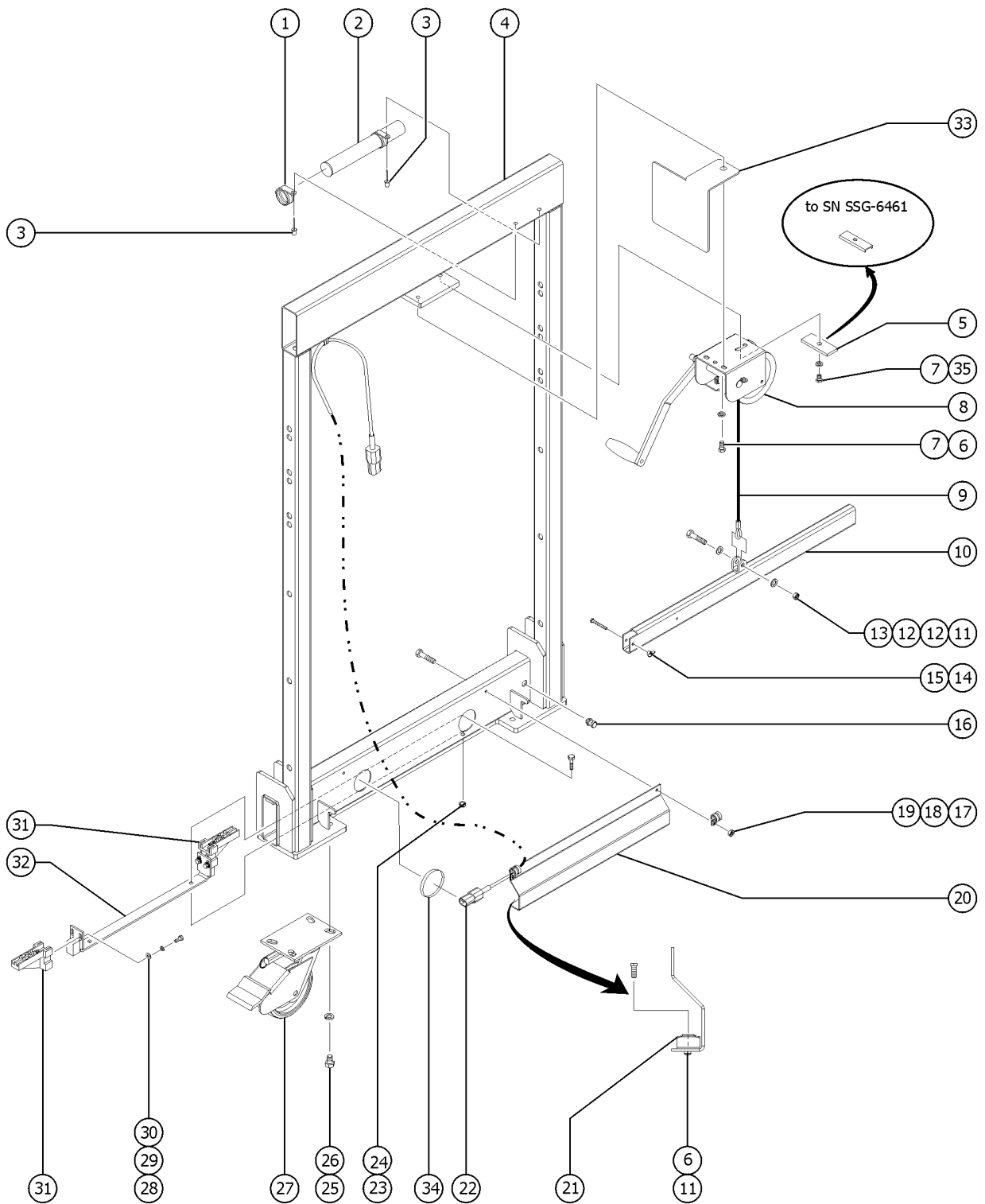


203.1 End Frame Components

Item	Part No.	Description	Qty.
	115405GT	MAIN END FRAME ASSY,W/DECALS, COMP (word decals - USA, Canada and Australia) (includes items 5-21, 23-32 and 34) (refer to 101.1) (to SN SSP-6999)	1
	T107062GT	MAIN END FRAME ASSY,W/DECALS, COMP (symbol decals - Asia and South America) (includes items 5-21, 23-32 and 34) (refer to 102.1) (to SN SSP-6999)	1
	T107065GT	MAIN END FRAME ASSY,W/DECALS, COMP (symbol decals - European) (includes items 5-21 and 23-34) (refer to 102.1)	1
	115389GT	TELE END FRAME ASSY,W/DECALS, COMP (word decals - USA, Canada and Australia) (includes items 5-21, 23-32 and 34) (refer to 101.1) (to SN SSP-6999)	1
	T107063GT	TELE END FRAME ASSY,W/DECALS, COMP (symbol decals - Asia and South America) (includes items 5-22, 23-32 and 34) (refer to 102.1) (to SN SSP-6999)	1
	T107064GT	TELE END FRAME ASSY,W/DECALS, COMP (symbol decals - European) (includes items 5-21 and 23-34) (refer to 102.1)	1
1	6653GT	CLAMP, 1.88, #30 X 1/4, RUB CUSH	2
2		Ref. INSTRUCT.TUBE W/CAPS-1.75 X 12 (refer to 201.1)	
3	6271GT	RIVET,STL,STL.MAN,P,.25 X .25	2
4A	115406GT	MAIN END FRAME ASSY W/DECALS (word decals - USA, Canada and Australia) (includes items 5-8, 10-11, 17-21, 24-30 and 34) (refer to 101.1) (to SN SSP-6999)	1
4A-	145042GT	MAIN END FRAME ASSY W/DECALS,SYMBOL (symbol decals - Asia and South America) (includes items 5-8, 1-11, 17-21, 24-30 and 34) (refer to 102.1) (to SN SSP-6999)	1
4A-	T107060GT	MAIN END FRAME ASSY W/CE SYM (symbol decals - European) (refer to 102.1)	1
4B	115390GT	TELE END FRAME ASSY,W/DECALS (word decals - USA, Canada and Australia) (includes items 1-3, 5-21, 23-32 and 34)(refer to 101.1) (to SN SSP-6999)	1
4B-	145023GT	TELE END FRAME ASSY W/DEC SYM (symbol decals - Asia and South America) (includes items 1-3, 5-21, 23-32 and 34) (refer to 102.1) (to SN SSP-6999)	1
4B-	T107061GT	TELE END FRAME ASSY,W/CE SYM (symbol decals - European) (includes items 1-3, 5-21 and 23-34) (refer to 102.1)	1
5A	1280486GT	PLATE, WINCH REINFORCEMENT, FLAT (from SN SSG-6462, use instead of 15657P-SGT) (USA, CSA, Asia and South America models)	1
5B		WINCH REINFORCE.PLATE --(BL)** (to SN SSG-6641) (this is obsolete, 15657P-SGT, use 1280486 together with item 35A, 49857)	1
5C	145099GT	PLATE, WINCH STIFFENER SS CE (European models)	1
6	8255GT	SCREW,HHC,3/8-16 X .75 (GR 5)	5
7	6021GT	WASHER,LOCK,.375	5
8		Ref., Winch (refer to 204.1)	
9	11634GT	CABLE ASSY-SS II	1
10	33910GT	LIFT BAR ASSY, SS II (includes items 9 and 11-15)	1
10-	29171GT	SS II LIFT FRAME WELDMENT	
11	7713GT	NUT, LP NYLOCK, 3/8-16	3
12	6097GT	WASHER,FLAT,USS,3/8",Y	2



203.1 End Frame Components

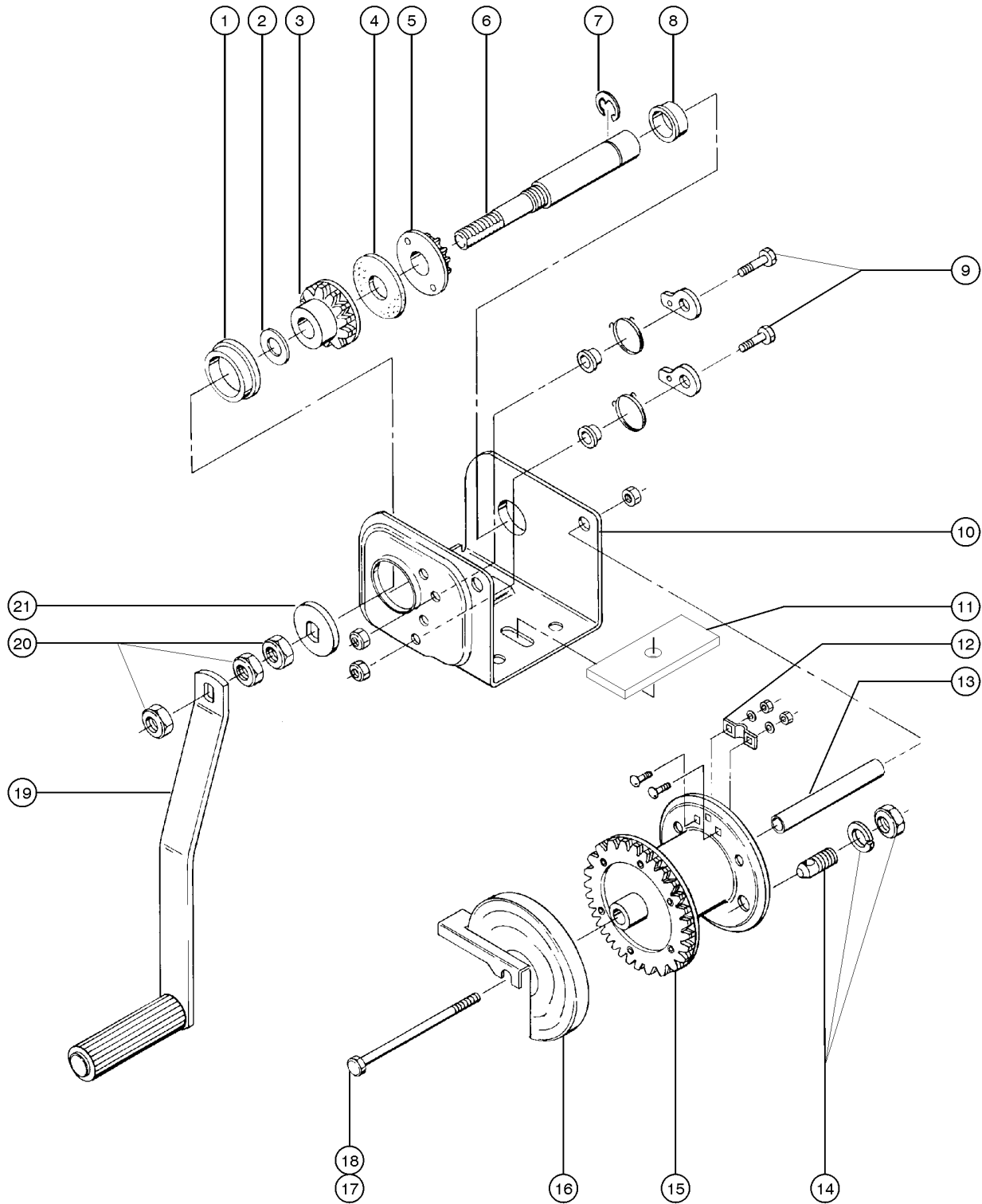


203.1 End Frame Components

Item	Part No.	Description	Qty.
13	13918GT	SCREW,HHC,3/8-16 X 1.75,GRD.8	1
14	8170GT	NUT,WING,1/4-20	1
15	6145GT	SCREW,HHC,1/4-20 X 1.5 (GR 5)	1
16	6825GT	PIN,OUTRIGGER LOCK	2
17	6889GT	NUT,LP NYLOCK,1/4-20	2
18	124728GT	CLAMP,0.44,#7X1/4,RUB CUSH	4
19	6884GT	SCREW,HHC,1/4-20 X 2.5	2
20	124653GT	FORMING,BASE COVER	1
21	99346GT	CLIP, METAL MOUNTING	2
22	124704GT	CABLE ASSY-SS	1
23	4828GT	NUT,NYLOCK,3/8-16	2
24	6175GT	SCREW,HHC,3/8-16 X 1	2
25	10587GT	SCREW,HHC,1/2-13 X.75	8
26	6033GT	WASHER,LOCK,0.5"	8
27	57743GT	CASTER, PL, SW LOCK, WB 6 X 2	2
28	6356GT	WASHER,LOCK,.25	4
29	75144GT	WASHER,FLAT,M6 PLTD.FW	4
30	6090GT	SCREW, HHC, 1/4-20 X .75	4
31	124648GT	CONTACT ASSEMBLY, END FRAME	2
32	124825GT	WELDMENT,CONTACT ASSEMBLY	1
33	145008GT	FORMING, WINCH COVER SS (European models)	1
34	124672GT	GROMMET,RUBBER 2X.125X2.25	2
35A	49857GT	SCREW,HHC,3/8-16 X .88,GRD 8 (from SN SSG-6462)	1
35B	8255GT	SCREW,HHC,3/8-16 X .75 (to SN SSG-6461)	1



204.1 Winch components



**Figure 204.1**  
Winch Components



204.1 Winch components

Item	Part No.	Description	Qty.
	14085GT	WINCH,KX-1051 (LESS HANDLE)*** (handle not included)	
1	6204GT	BUSHING, LARGE PINION, FULTON	1
2	14190GT	WASHER,THRUST, KX-1050,1051	1
3	14191GT	RATCHET GEAR ASSY, K-1050,1051	1
4	5157GT	FRICTION DISC, KX-1000,050,051	1
5		PINION GEAR ASSY, KX-1050,1051 (14193) component no longer available	1
6	14194GT	PINION SHAFT, KX-1050,1051	1
7		RETAINING RING (6200) (not sold separately)	1
8		SERVICE KIT,PINION SHAFT-K1550 (1256081) component no longer available	2
9	5156GT	RATCHET KIT,K-1000 SERIES,935	2
10	85221GT	WINCH FRAME (14085-WINCH)	1
11		WINCH REINFORCE.PLATE --(BLUE) refer to 203.1	1
12	6190GT	CABLE KEEP.KIT (BRACKET TYPE)*	1
13		SPACER, DRUM BOLT, K-1000,1050 (5320) component no longer available	1
14	9134GT	CABLE KEEP.KIT (THREADED STUD)	1
15	85222GT	WINCH DRUM (14085-WINCH)	1
16		COVER, DRUM, KX-1000,050,051 (5376) component no longer available	1
17	12981GT	SCREW,HHC,3/8-16 X 4.5	1
18	12012GT	NUT,LOCK,3/8-16	1
19	16342GT	WINCH HANDLE-O.A.LENGTH-11"	1
20	6034GT	NUT,HEX,JAM,1/2-13	3
21	14189GT	PINION PLATE (KX/KH-1051,1050)	1



<u>Part no.</u>	<u>Page Number</u>	<u>Part no.</u>	<u>Page Number</u>	<u>Part no.</u>	<u>Page Number</u>
2223GT	17	12012GT	31	60444GT	21
4828GT	25, 29	12981GT	31	60445GT	21
5156GT	31	13066GT	19, 23	62938GT	9, 11, 13, 15
5157GT	31	13918GT	29	69625GT	21
6019GT	25	14085GT	31	75144GT	29
6021GT	27	14189GT	31	80939GT	9
6022GT	23	14190GT	31	82487GT	11, 15
6033GT	29	14191GT	31	85221GT	31
6034GT	31	14194GT	31	85222GT	31
6052GT	23	16342GT	31	99346GT	21, 29
6086GT	19	17626GT	21	115154GT	19
6087GT	23	17748GT	23	115155GT	17
6090GT	21, 29	22786GT	19	115389GT	27
6095GT	25	23725GT	9, 13	115390GT	27
6097GT	25, 27	28374GT	9	115394GT	21
6145GT	29	28421GT	9, 13	115395GT	21
6175GT	29	28423GT	9, 13	115396GT	21
6190GT	31	28424GT	9	115397GT	23
6198GT	19, 25	28427GT	9	115398GT	21
6204GT	31	28428GT	9	115399GT	23
6271GT	17, 23, 27	28429GT	9	115400GT	23
6356GT	29	28430GT	9, 13	115401GT	23
6416GT	25	28431GT	9, 13	115404GT	17
6600GT	17	28432GT	9, 13	115405GT	27
6638GT	17	29171GT	27	115406GT	27
6653GT	17, 27	29173GT	23	124035GT	21
6825GT	29	29189PGT	25	124648GT	29
6884GT	29	29190PGT	25	124653GT	29
6889GT	21, 29	29278GT	25	124672GT	29
7713GT	21, 27	29447GT	23	124690GT	21
8170GT	29	32302-1200GT	19	124691GT	23
8220GT	23	32302GT	19	124692GT	23
8255GT	21, 27, 29	32358-1100GT	17, 19	124693GT	23
8886GT	23	32358GT	19	124703GT	21
9134GT	31	32375GT	19	124704GT	29
10587GT	29	33910GT	27	124705GT	23
10598GT	19	35464-0225GT	19	124715GT	21
11097GT	23	38149GT	13	124727GT	23
11634GT	27	49857GT	29	124728GT	21, 29
11636GT	23	51063GT	23	124759GT	21
11637GT	23	57457GT	21	124825GT	29
11757GT	23	57743GT	29	124958GT	21





<u>Part no.</u>	<u>Page Number</u>	<u>Part no.</u>	<u>Page Number</u>	<u>Part no.</u>	<u>Page Number</u>
124959GT	21	1306533GT	13		
133287GT	9, 13	1306534GT	13		
133289GT	9	1306535GT	15		
133290GT	9, 13	1306536GT	15		
133292GT	9, 13	1306600GT	9		
133389GT	11, 15	1306601GT	9		
133390GT	11, 15	1306602GT	11		
133391GT	11, 15	1306603GT	11		
133395GT	9, 13	T107058GT	19		
133396GT	11, 15	T107059GT	17		
133397GT	11, 15	T107060GT	27		
133404GT	11, 15	T107061GT	27		
133405GT	11, 13, 15	T107062GT	27		
133406GT	11, 13, 15	T107063GT	27		
133407GT	11, 13, 15	T107064GT	27		
133412GT	9, 11, 13, 15	T107065GT	27		
133420GT	9, 11, 13, 15	T107066GT	17		
145008GT	29				
145018GT	19				
145022GT	17				
145023GT	27				
145029GT	21				
145030GT	21				
145031GT	23				
145032GT	21				
145033GT	21				
145034GT	23				
145036GT	21				
145037GT	17				
145039GT	19				
145042GT	27				
145079GT	23				
145080GT	23				
145099GT	27				
145114GT	17				
145121GT	21				
1272242GT	13, 15				
1280486GT	27				
1280819GT	13				
1294398GT	13, 15				
1294685GT	13				
1296809GT	17				



California Proposition 65



Operating, servicing and maintaining this equipment, passenger vehicle or off-highway motor vehicle can expose you to chemicals including engine exhaust, carbon monoxide, phthalates, and lead, which are known to the State of California to cause cancer and birth defects or other reproductive harm. These chemicals can be emitted from or contained in other various parts and systems, fluids and some component wear by-products. To minimize exposure, avoid breathing exhaust, do not idle the engine except as necessary, service your equipment and vehicle in a well-ventilated area and wear gloves or wash your hands frequently when servicing your equipment or vehicle and after operation. For more information go to [www.P65Warnings.ca.gov/passenger-vehicle](http://www.P65Warnings.ca.gov/passenger-vehicle).

Breathing diesel engine exhaust exposes you to chemicals known to the State of California to cause cancer and birth defects or other reproductive harm.

- Always start and operate the engine in a well-ventilated area.
- If in an enclosed area, vent the exhaust to the outside.
- Do not modify or tamper with the exhaust system.
- Do not idle the engine except as necessary.

For more information go to [www.P65warnings.ca.gov/diesel](http://www.P65warnings.ca.gov/diesel).

[www.genielift.com](http://www.genielift.com)

Distributed By: